

# The Korhonen Residence

DESIGNED BY CAITLYN DOLAN  
BROOKDALE COMMUNITY COLLEGE





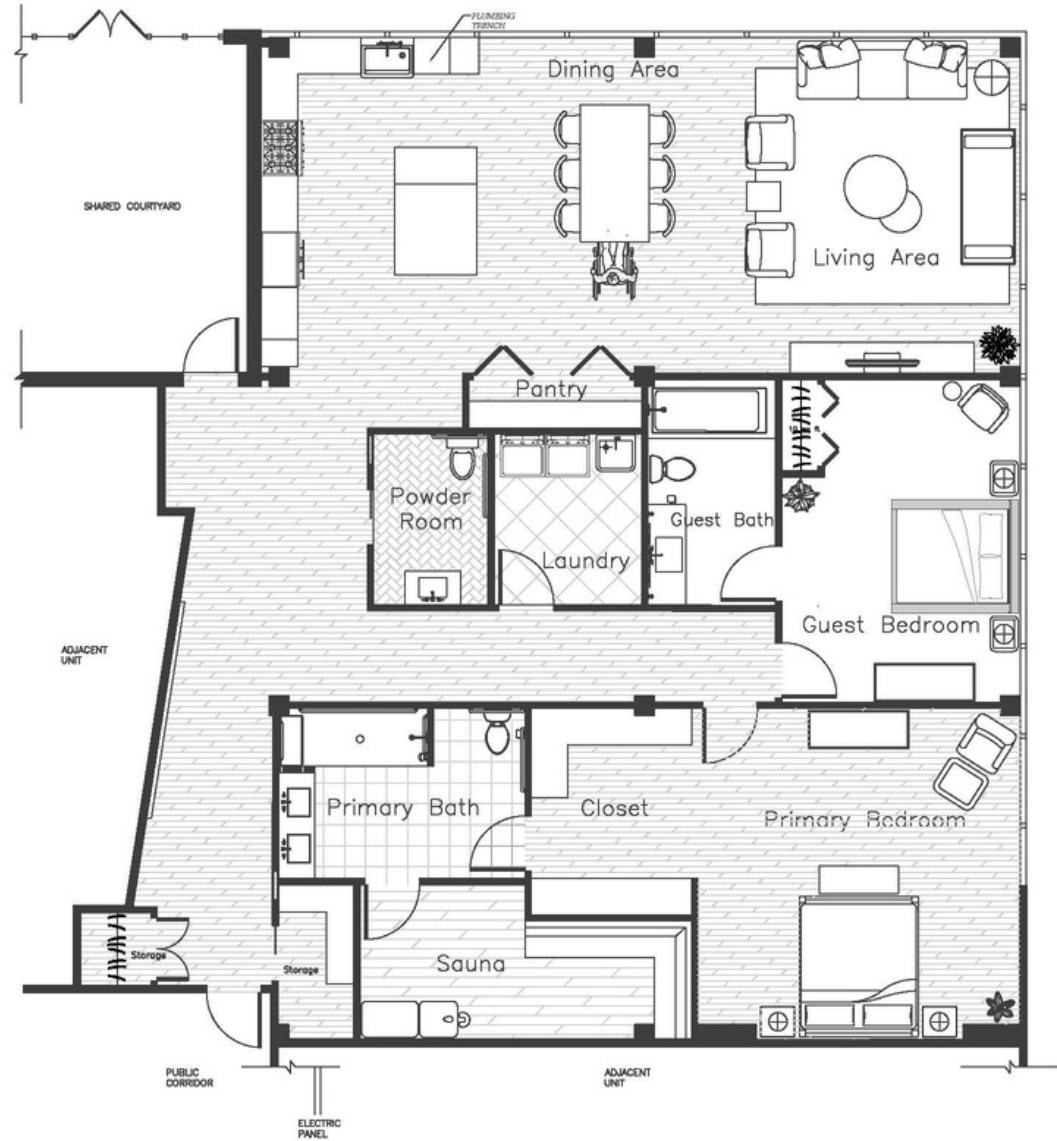
Characterized by its silvery-white bark, unique dark ridges, and flowing canopies of bright green leaves, the Birch Tree is undeniably beautiful. In Finnish culture, these forests are considered a place of sanctuary and refuge. Walking through a birch forest is like walking into a beautiful safe haven where one retreats to connect to themselves and their surroundings.

As the most common and one of the oldest tree species in Finland, birch has become engrained into Finnish culture and everyday life. From basic everyday uses to building structures and products, to medicinal uses healing wounds and soothing muscles, and to more symbolic applications, Birch is engrained into Finland's culture.

Of deepest importance is the Finnish people's symbolic interpretation of these beautiful trees. Considered sacred to many, it is referred to as "the lady of the woods", symbolizing regeneration, protection, resilience, and healing.

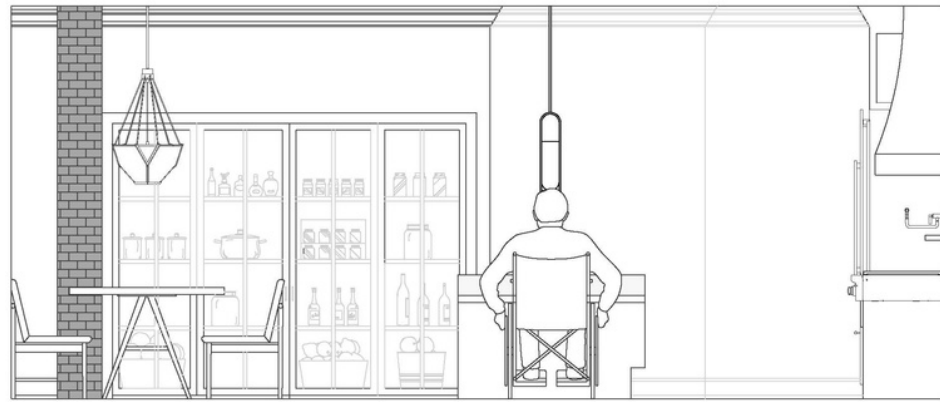
This is the heart of the design inspiration for the Korhonen family residence. With a family member living with Parkinson's disease, a disease that slows the body causing rigidity, instability, and pain, it was vital to use an inspiration that embodies the goals of this person's healing process. Drawing upon the symbolic significance of birch trees serves as a counterbalance to the disease's setbacks. When one walks through their home, it will be like being transported to a birch forest and embody that retreat-like atmosphere. The home will feel strong and stable yet soft and tranquil.

## FINAL FLOORPLAN





ADA WHEELCHAIR ACCESSIBLE DUAL-HEIGHT ISLAND DESIGN





WHEELCHAIR ACCESSIBLE SINK & DISHWASHER







**WHEELCHAIR ACCESSIBLE STOVE & OVENS**



**ASID NJ DEA AWARD WINNING PROJECT 2022: CAITLYN DOLAN**



**BIRCH-INSPIRED LIVING ROOM DESIGN**

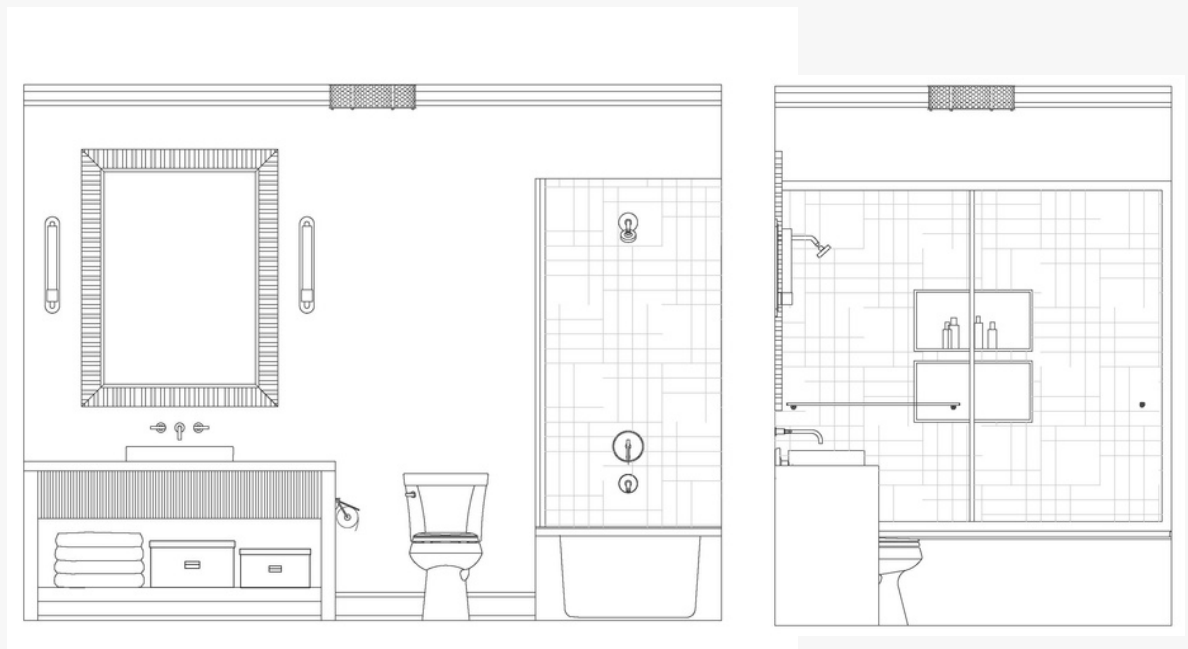








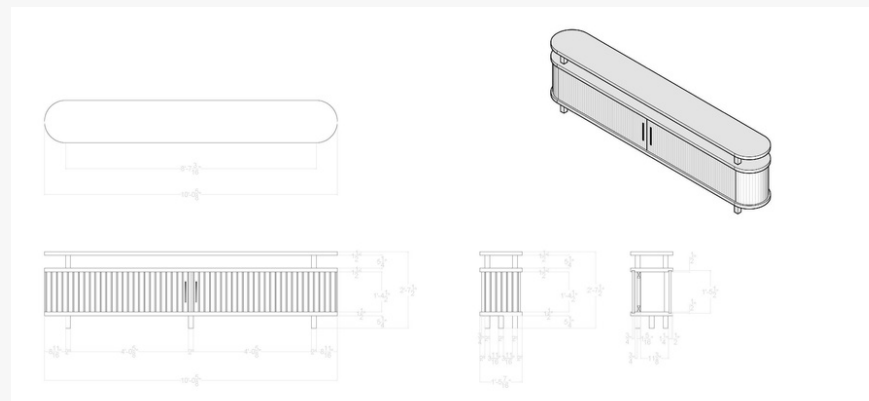
**GUEST BEDROOM**



**GUEST BATHROOM**

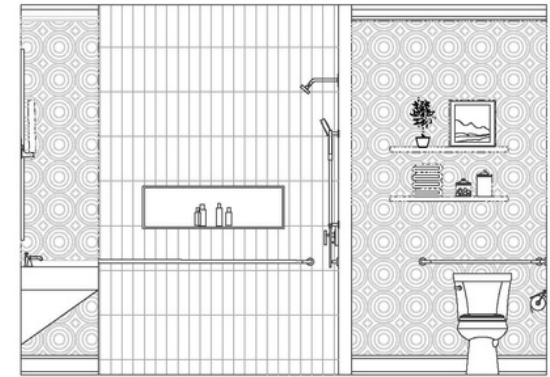
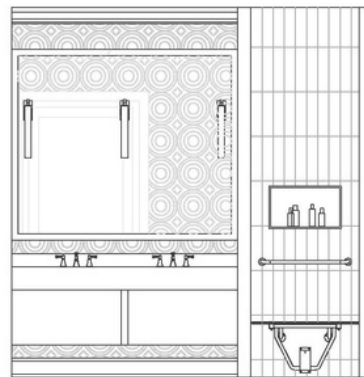


CUSTOM TV CONSOLE DESIGN



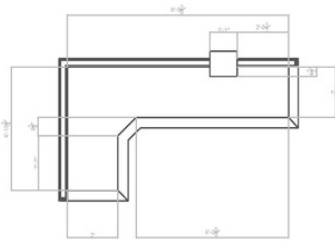


**PRIMARY BEDROOM & BATHROOM (ADA ACCESSIBLE)**



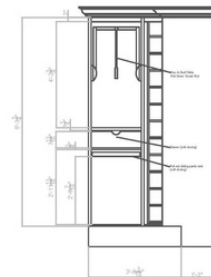
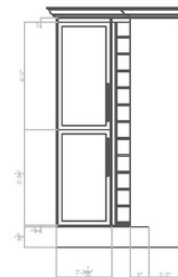
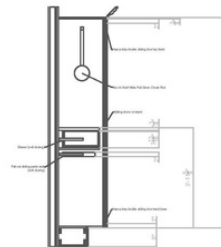
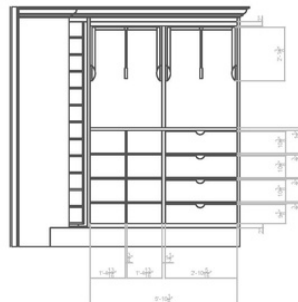
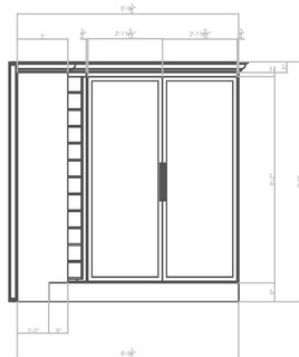
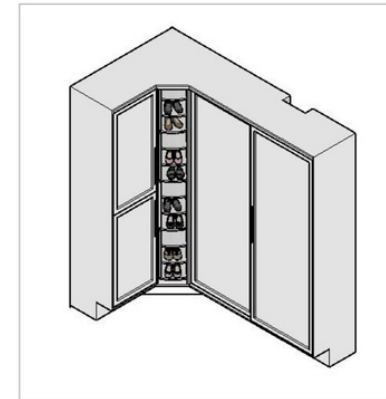


This **custom closet built-in** was designed to be accessible from a wheelchair. The upper hanging rods utilize a specialized pull-down hydraulic hinge to allow someone to easily reach clothing stored out of reach. The corner of the unit was designed to split to maximize storage and organize shoes.



NOTES:

- Material: Melamine
- (3) Rev-A-Shelf Adjustable Pull-Down Closet Rods to be installed as designated on drawings
- (1) Pull-out sliding pants rack with soft close feature
- Interior drawers to feature soft-close feature
- Exterior sliding doors with smooth-glide heavy-duty door track
- Hinged doors to have soft-close feature
- Ceiling crown molding to continue from walls to top of closet system





Hello! I am an interior designer based at the Jersey Shore. After growing up on construction sites with my father and, most recently, renovating my first home, I developed a true passion for design. I decided to take my passion a step further by enrolling at Brookdale Community College and earning a degree in Interior Design.

I am passionate about designing spaces that create a deep connection between its occupants and the surrounding landscape. Driven by an immense respect for individuality and passion for learning, my designs are carefully curated with great attention to detail.

## MEET CAITLYN